

Rough-In Requirement: 23mm Mounting Hole

MODEL / PRODOTTO

**1S.3100.05.S3**

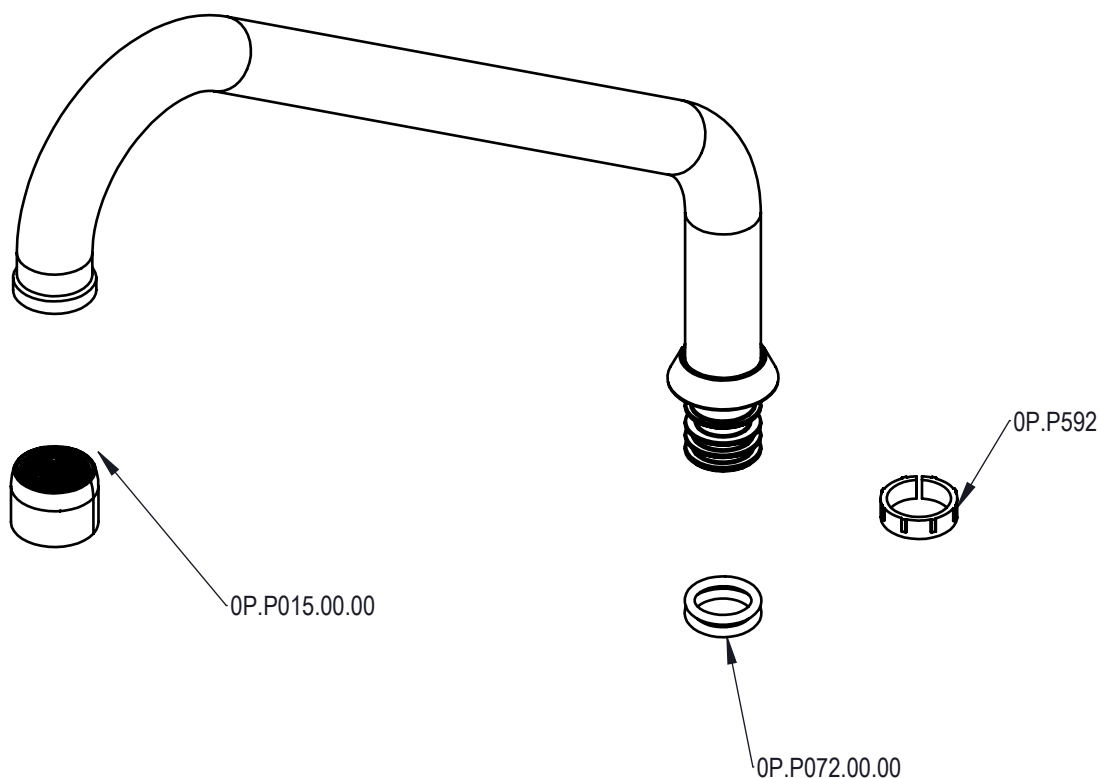
PRODUCT COMPLIANCE:

REACH 1907/2006;  
BWGL UBA verified by DVGW CERT third-party

TITLE / DESCRIZIONE

STYL double hole (155mm center distance) deck mount mixing faucet. 50mm-long mounting shafts, G1/2" male inlets. Brass, chrome plated. J-shaped Nozzle 20x250x150. 3Pe handles, 1/2" compression headworks.

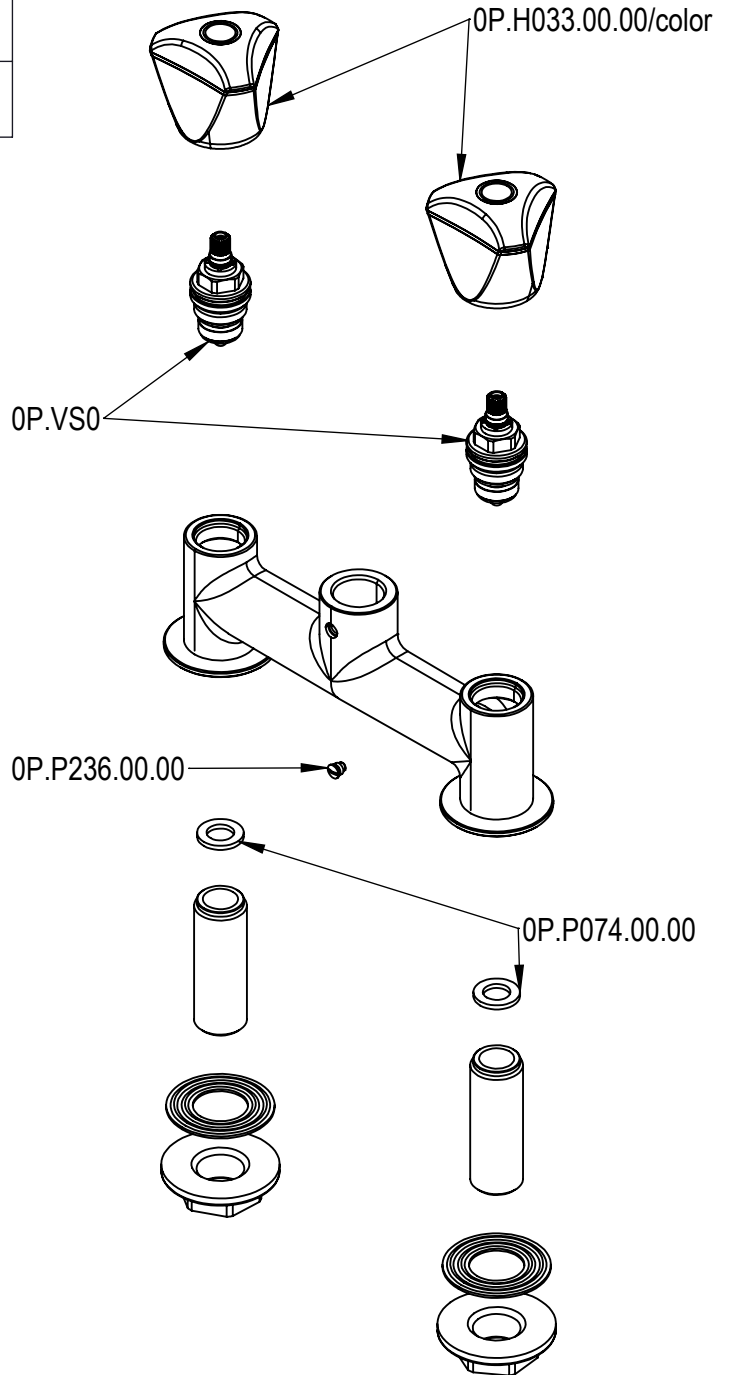
SALES NO.	DESCRIPTION
0P.P592	Swivel sleeve
0P.P015.00.00	Aerator F22x1 for Ø20 spout
0P.P072.00.00	O-Ring 119 (Ø 15,08 x 2,62mm) EPDM 70
0P.C005.00.00	STYL 20x250x150 J-shaped spout



TITLE / DESCRIZIONE

**0P.C005.00.00 - SPARE PARTS**

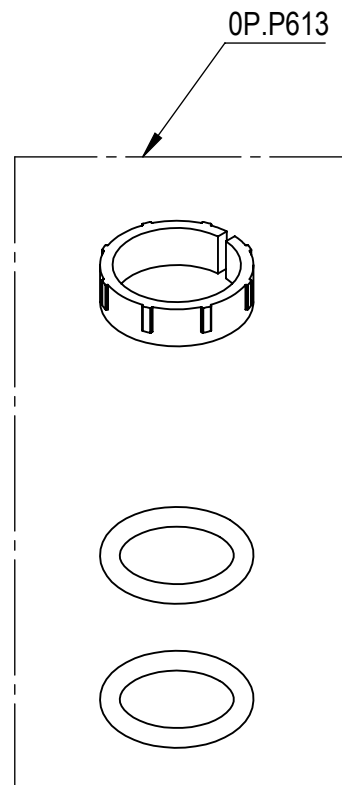
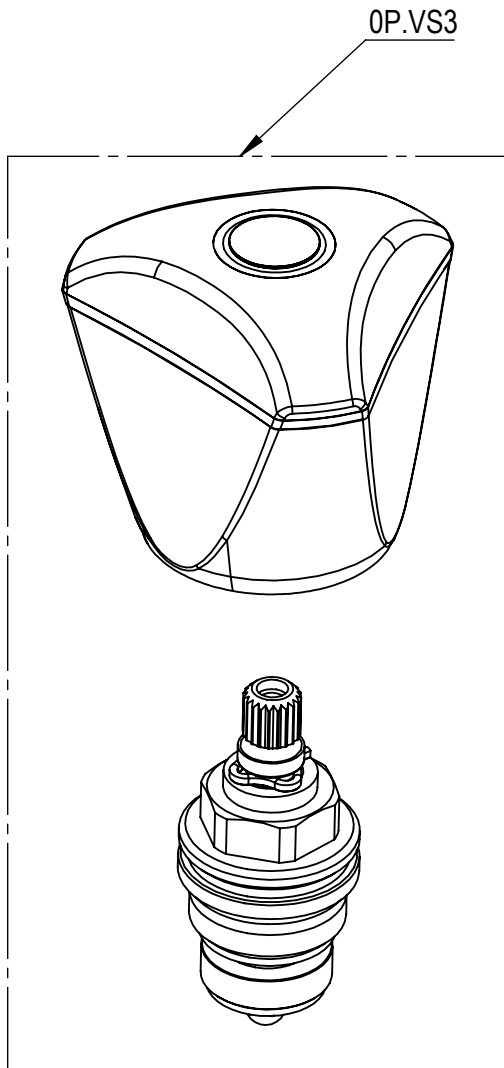
SALES NO.	DESCRIPTION
0P.H033.00.00/color	3Pe handle 8x20 - (specify the color)
0P.VS0	1/2" compression headwork (8x20)
0P.P236.00.00	Spout Screw (short)
0P.P074.00.00	Flat gasket 1/2" -18,5x11x2



TITLE / DESCRIZIONE

### BODY FAUCET, INLETS AND HANDLES SPARE PARTS

SALES NO.	DESCRIPTION
0P.P613	Kit O-Rings for EUROP/STYL spout
0P.VS3	Kit: 1/2" compression headwork (8x20) + 3Pe handle (Red & Blue index)



TITLE / DESCRIZIONE

## REPLACEMENT KIT